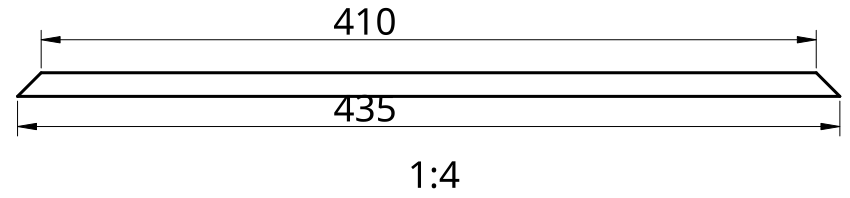
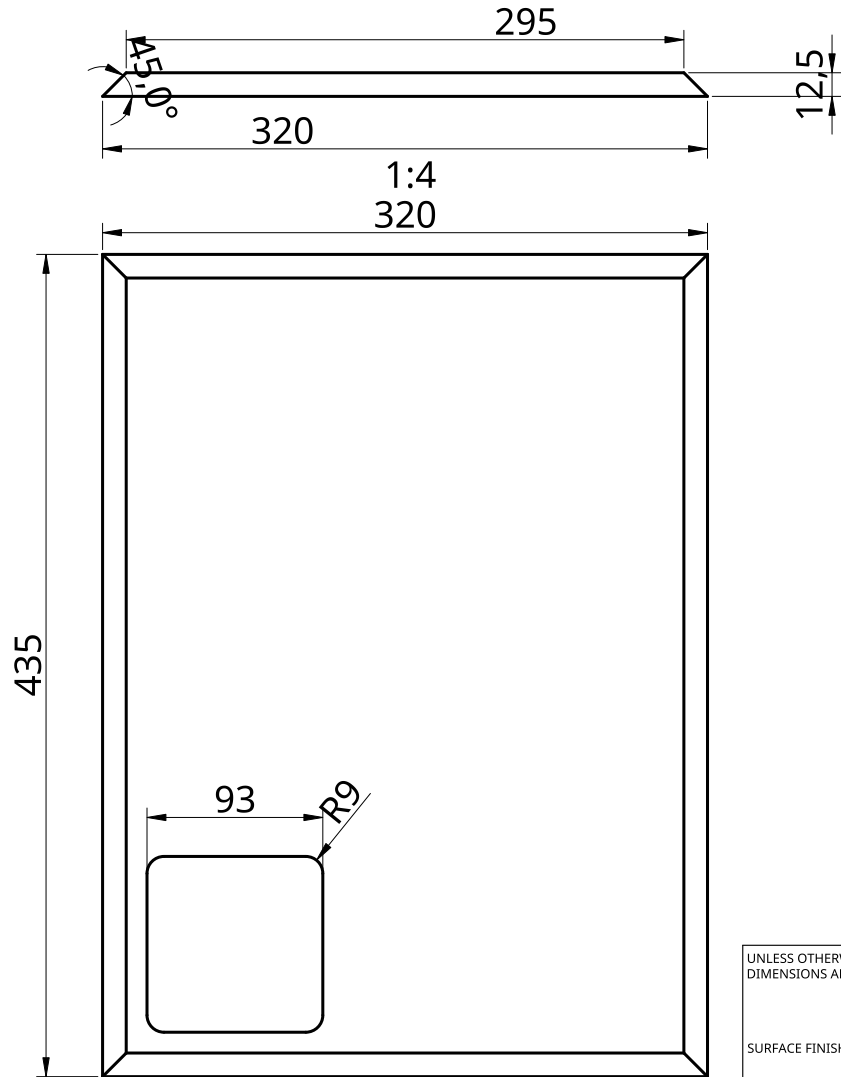


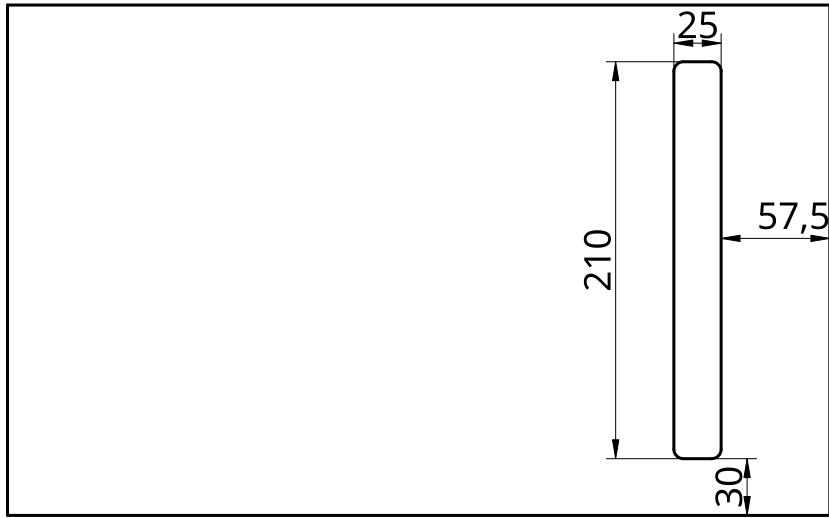


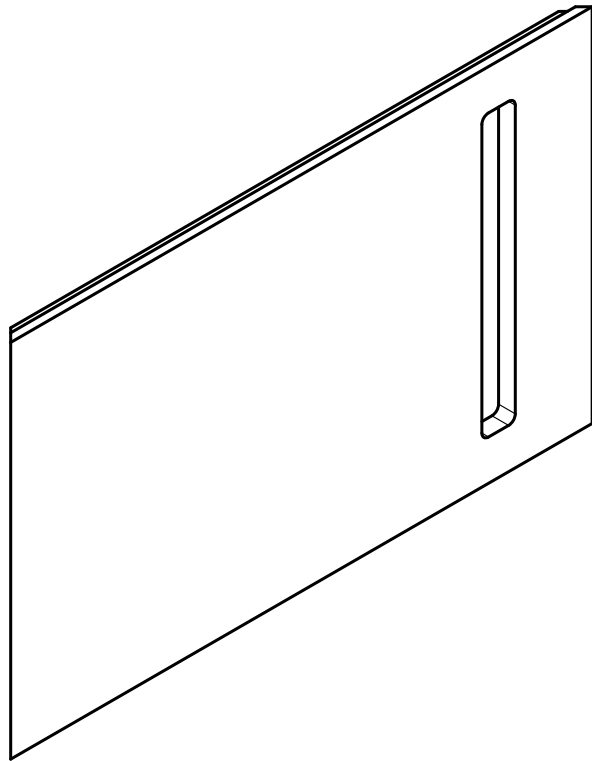
Base



UNLESS OTHERWISE SPECIFIED, DIMENSIONS ARE IN MILLIMETERS ANGULAR = ± ° SURFACE FINISH  DO NOT SCALE DRAWING BREAK ALL SHARP EDGES AND REMOVE BURRS FIRST ANGLE PROJECTION 		NAME	SIGNATURE	DATE			
	DRAWN	JAMES BRAKE		2022-01-18	TITLE		
	CHECKED						
	APPROVED						
					SIZE	DWG NO.	REV.
					A4		
	MATERIAL	FINISH			SCALE	WEIGHT	SHEET
					1:6		1 of 5

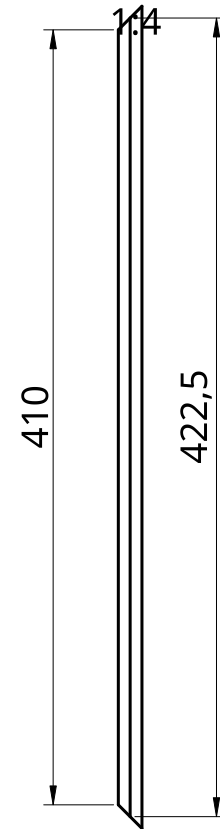
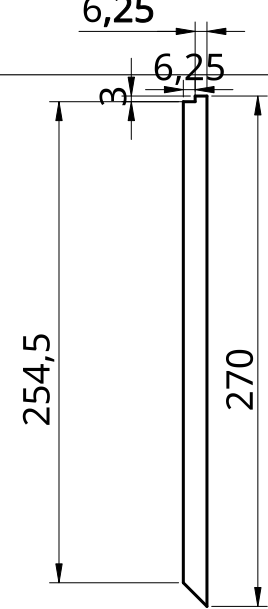


1:4



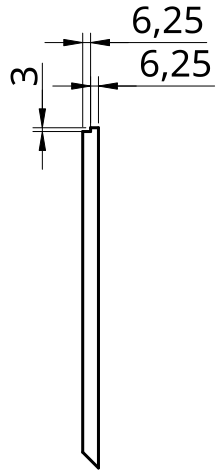
1:4

Front

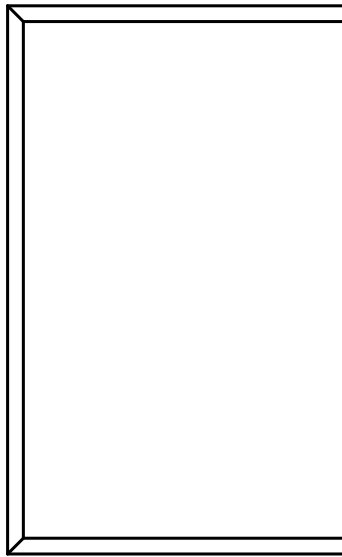
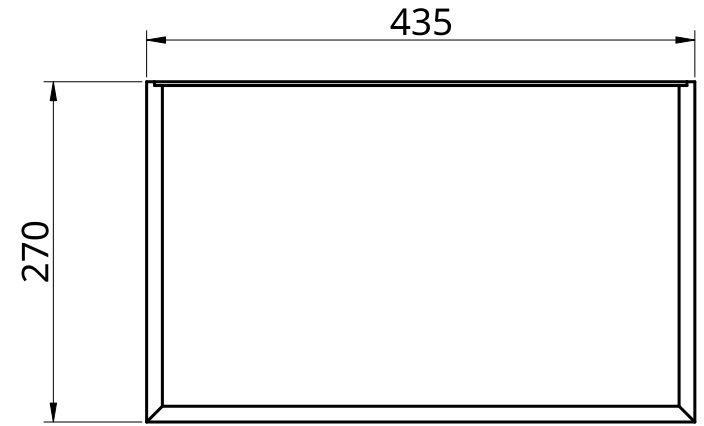


1:4

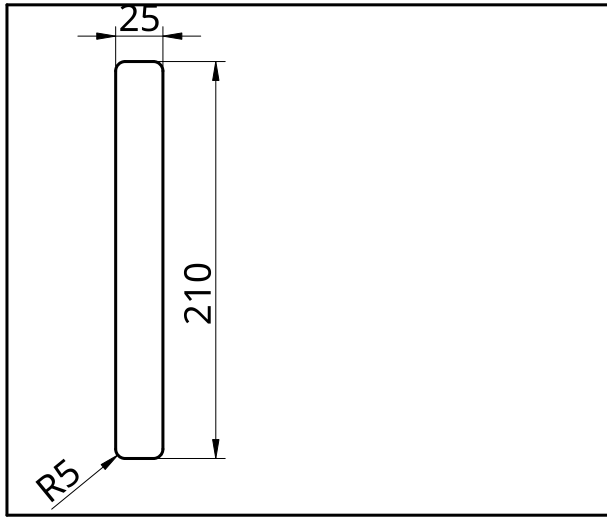
DWG. NO.	SIZE	SCALE	SHEET	REV.
	A4	1:6	2 of 5	



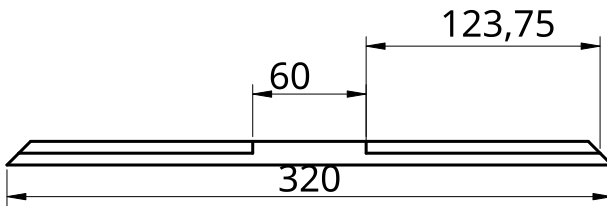
Back



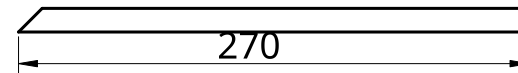
Right



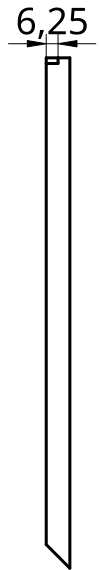
1:4



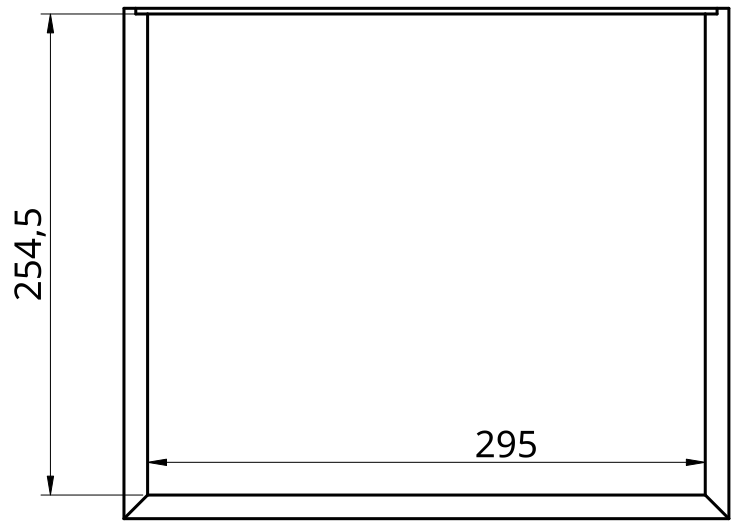
1:4



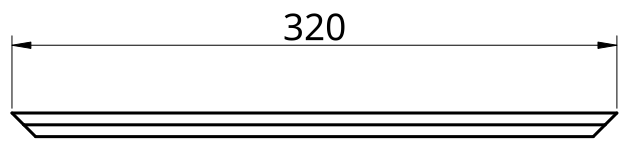
1:4



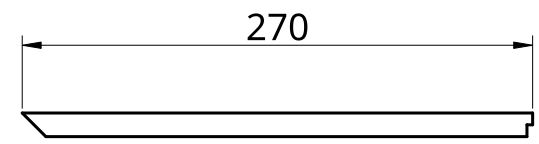
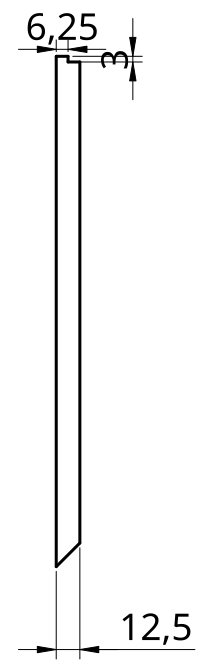
1:4



1:4



1:4



1:4