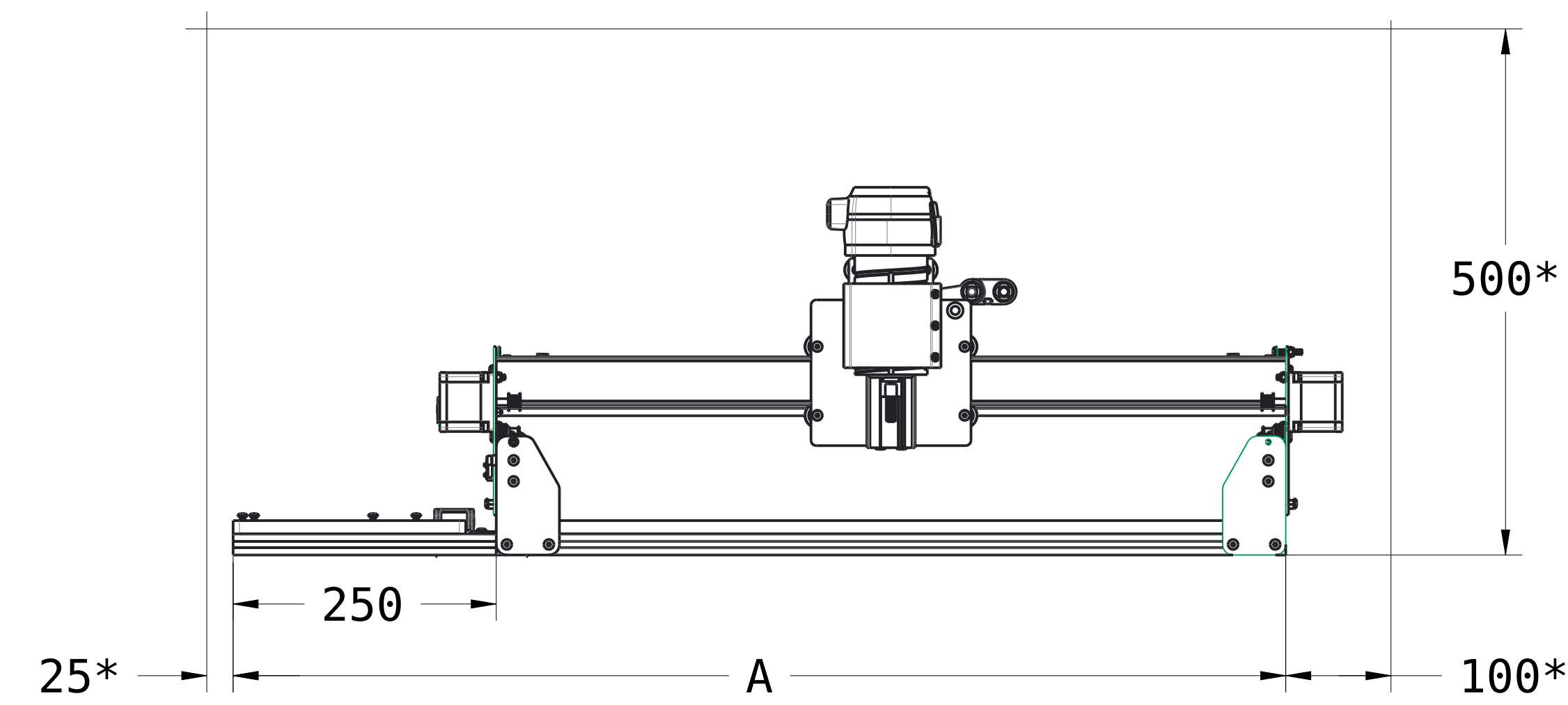
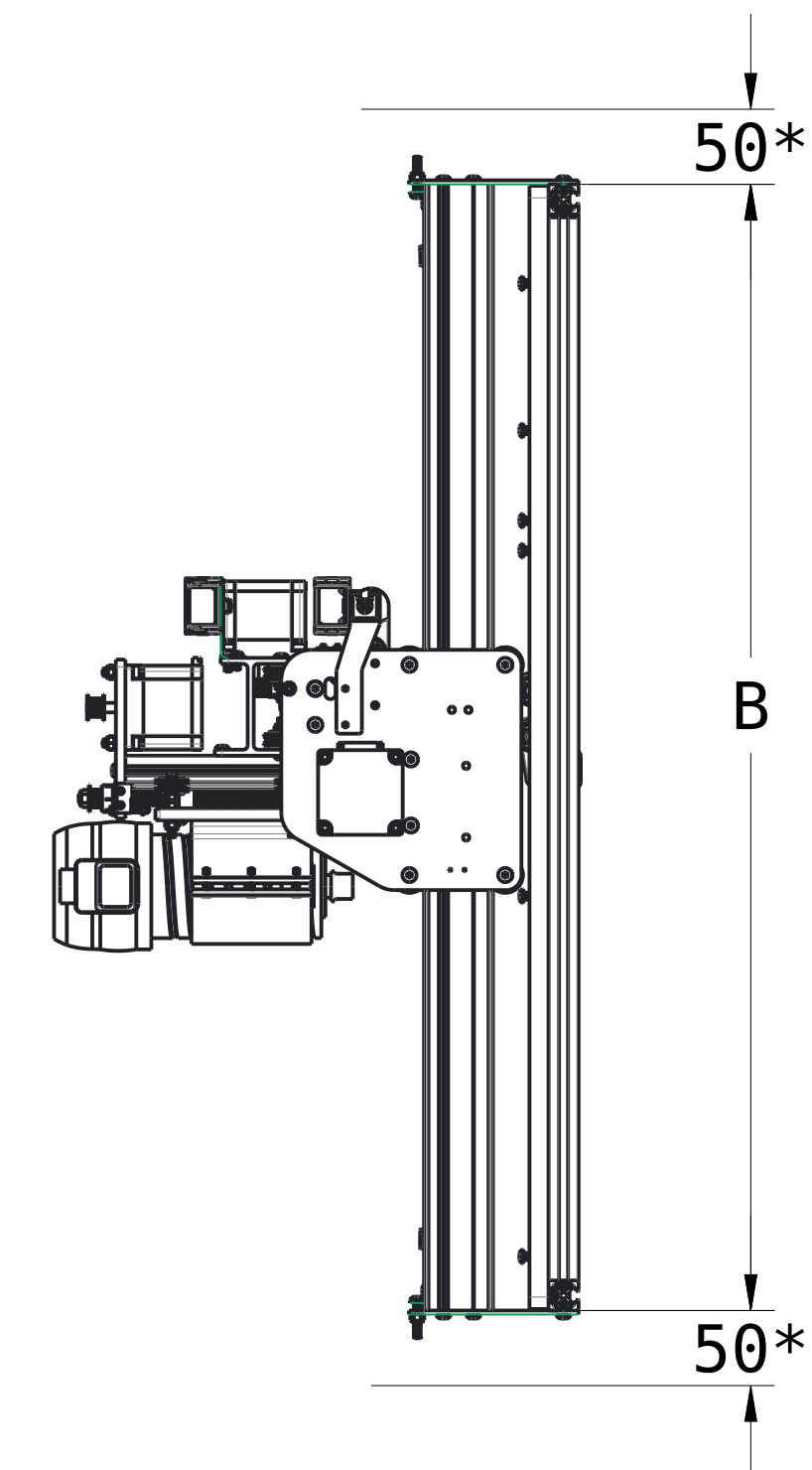
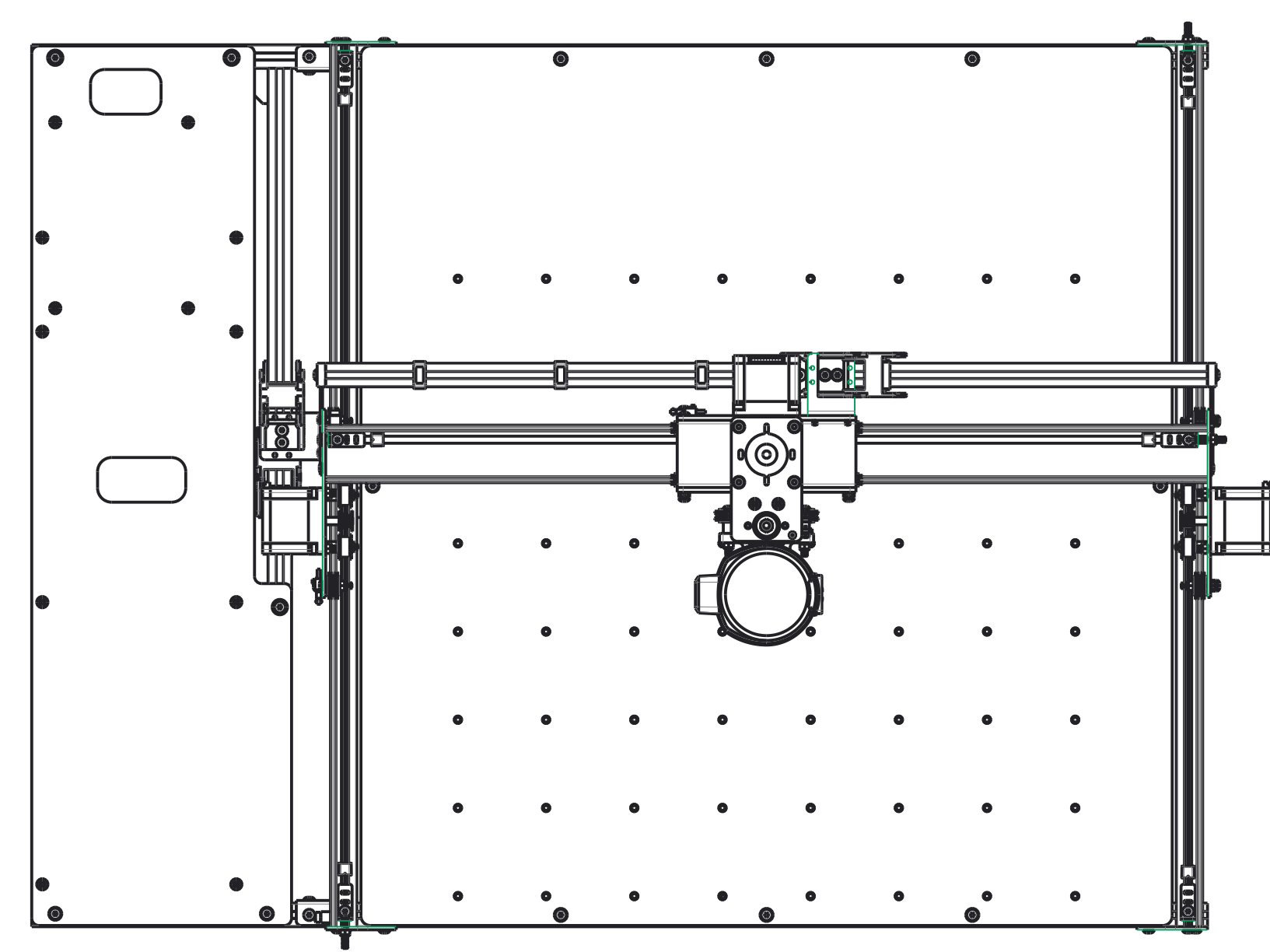


REVISIONS			
SYM	DESCRIPTION	BY	DATE
A	ORIGINAL	BJD	5/3/16

F
E
D
C
B
A

1 2 3 4 5 6 7 8



Machine Size	Dimension A	Dimension B
500mm	750mm	500mm
750mm	1000mm	750mm
1000mm	1250mm	1000mm

Notes:
1. Dimensions with * indicate recommended clearance around machine.



The work is licensed under a Creative Commons Attribution-Share Alike 3.0 License

DRAWN	BJD	5/3/16X
CHECKER		

X-Carve 2 Machine Footprint Drawing		inventables
		www.inventables.com
SCALE		740-00003
		SHEET 1 OF 1